

טבלת מצבים מגע יבש לאל פסק.

X = Relay coil active	RELAYS - היציאות מהמגע יבש					
כל ההתראות היכולות להגיע מהאל פסק דרך הכרטיס מגע יבש .	UPS Fault	UPS audible alarm	Bypass active	Low Battery	UPS On	Utility Failure
UPS in Static mode			X			
UPS in Standby mode			X			
UPS in Bypass mode		X	X			
UPS in Fault mode	X	X	X			
UPS in Line mode					X	
UPS in Converter mode					X	
UPS in ECO mode					X	
UPS in Battery mode		X			X	
UPS in battery test mode					X	
Battery low		X		X		
Line fail						X

UPS fault include:

- 1, DC/DC or PFC Failure (DC/DC soft start fail), Bus voltage too high, Bus voltage too low, Bus unbalance)
- 2, Inverter Failure (Inverter soft start fail, inverter voltage too high, inverter voltage too low, inverter short)
- 3, Battery Failure (Battery voltage too high, Battery voltage too low)
- 4, Other Failure (Over temperature, Over load)

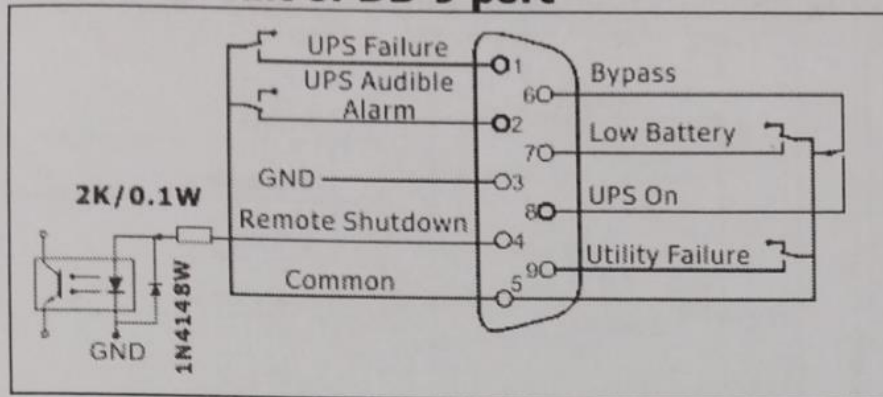
דוגמא: התראה עבור UPS audible alarm יכול להתרחש בכל אחד מהמקרים הבאים:

- .1 Ups in bypass
- .2 Ups in fault
- .3 Ups in battery mode
- .4 Battery low

כאשר לדוגמא battery low יגיע גם עם line fail

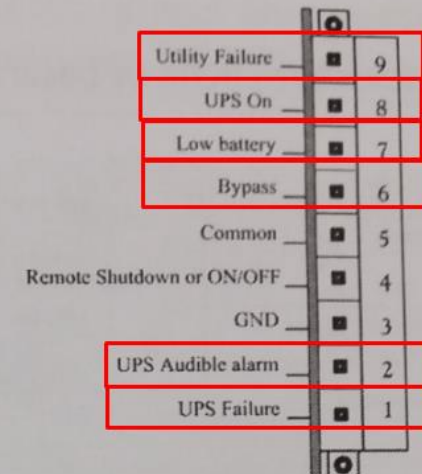
4. Specifications

Internal circuit of DB-9 port



RS-232 port

Electric Parameter of DB-9 port



9-pin port